

RØDE[®]

M I C R O P H O N E S



NTG8

Instruction Manual



www.rodemic.com

CE (EMC, LVD) 

Introduction

Thank you for your purchase of the RØDE NTG8 precision broadcast-grade shotgun microphone.

Based on RØDE's award winning NTG3, the NTG8 is a broadcast quality RF-bias shotgun microphone that exhibits increased directionality across a wide frequency response range. This makes the NTG8 the perfect microphone for film, television, sports and outdoor broadcasting, live performance, or any professional distance miking application.

Like the NTG3, the NTG8 features low self noise, natural sound without colouration both on and off-axis, and RF bias technology to ensure that it is almost completely resistant to high humidity environments which could make other condenser microphones fail.

Please take the time to visit www.rodemic.com and register your microphone for a free ten year extended warranty.

While there you can view studio/field tips and techniques, as well as browse the comprehensive range of accessories for the NTG8 and other RØDE microphones and products.



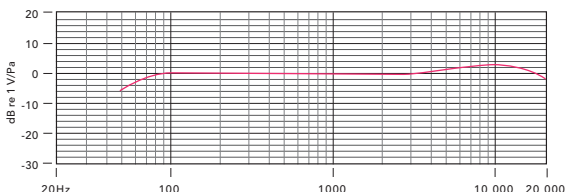
Peter Freedman
RØDE Microphones
Sydney, Australia

Specifications

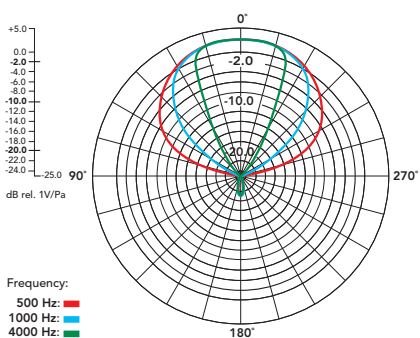
Acoustic Principle:	Line Gradient
Directional Pattern:	Super-Cardioid
Frequency Range:	40Hz - 20kHz (see graph)
Output Impedance:	25Ω
Sensitivity:	-20dB ± 2dB (97.5mV/Pa)
Equivalent Noise:	8 dBA
Maximum Output:	8.2dBu
Dynamic Range:	116dB SPL
Maximum SPL:	124dB @ 1kHz
Signal/Noise:	81 dB
Power Requirement:	P48 phantom (44-52V min 2.5mA)
Output Connection:	3-pin XLR
Net Weight:	345gm
Dimensions:	Ø19mm x 559mm

Specifications

Frequency Response



Polar Response



Included Accessories



Shock Mount (SM8)



Wind shield (WSNTG8)



Weather resistant aluminium storage cylinder (RCNTG8)

Features

- Highly directional polar response
- Natural sounding audio both on and off-axis
- Designed to withstand adverse environmental conditions
- Extremely low handling noise
- High level of immunity to radio frequency interference
- True Condenser (external RF biased)
- High Sensitivity
- Superior broadcast sound quality
- Designed and manufactured in Australia
- Free 10 year extended warranty*

Powering the NTG8

- The NTG8 requires phantom power to operate. This needs to be supplied via a P48V phantom power supply which is available from most professional video cameras, mixing consoles or audio recorders.
- If the camera, console, or wireless transmitter does not provide phantom power (44-52V min 2.5mA), then an external phantom power supply will be required.

*Online product registration required, subject to terms & conditions.
Visit rodemic.com/warranty for full details.

Using the NTG8

- We strongly suggest the use of high quality XLR cables, using the shortest cable length possible to ensure minimal noise interference between the microphone output and the camera/recorder input.
- The NTG8 features a custom designed XLR connector that is specially designed to reduce susceptibility to RF interference from devices such as cell/mobile phones and other transmitters.
- The NTG8 is designed for operation within demanding environments, where the traditional condenser microphone would fail. However all due care should be taken to protect the microphone body itself from moisture, dust or contaminants.
- Shotgun microphones have a narrow 'pick-up' angle or polar response, and so can be used to great effect with cameras for news gathering, wedding videos, sporting events or in any situation where you want to focus on a particular sound source without having your audio overpowered by off-axis ambient noise.
- The NTG8 is supplied with a foam windshield. This windshield should be used whenever recording outdoors, as even an unexpected slight breeze can cause unwanted sound interference. For maximum wind protection a more specialised wind shield is recommended.

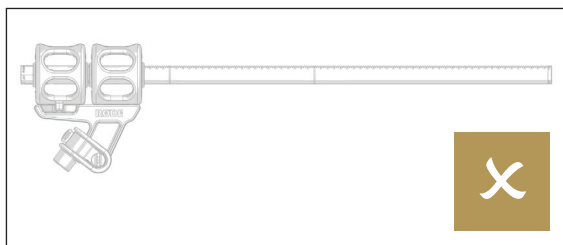
Mounting the NTG8

- To mount the NTG8 in the supplied SM8 shockmount, insert the base of the microphone (with the XLR connector) into the rubber opening closest to the grey cable management clips and slide the microphone through all four rubber mount openings.

Some pressure will need to be applied to insert the microphone, as the openings must be tight to secure the microphone.



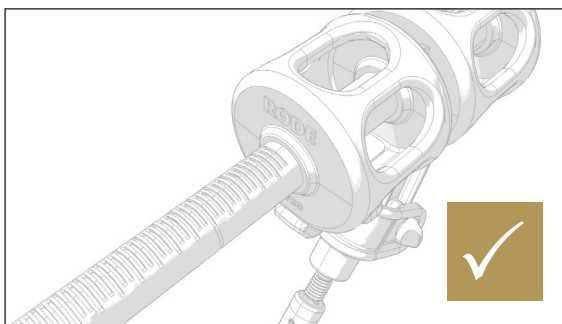
**NTG8 correctly mounted in SM8 shockmount
(note SM8 orientation)**



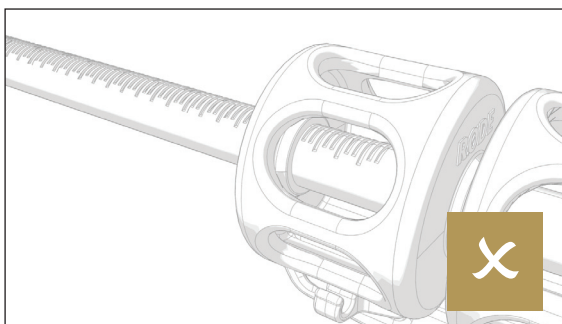
NTG8 incorrectly mounted in SM8 shockmount

Mounting the NTG8

- When mounting the microphone in the SM8 shock mount or any mic stand or shock/suspension mount take care not block any of the slots on the microphone (as illustrated below). Obstructing these slots will affect the sound quality and the polar pattern (directional qualities).



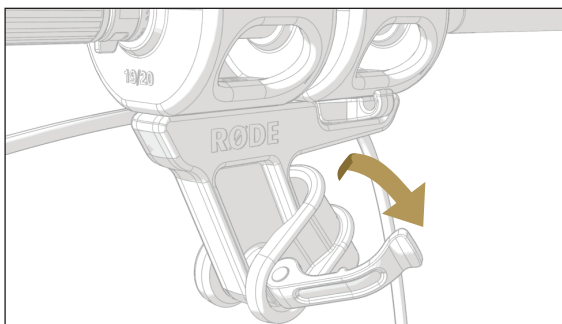
NTG8 slots unobstructed by the microphone mount



NTG8 slots obstructed in the microphone mount

Mounting the NTG8

- To adjust the SM8 mounting angle simply pull the quick release handle open while supporting the microphone.

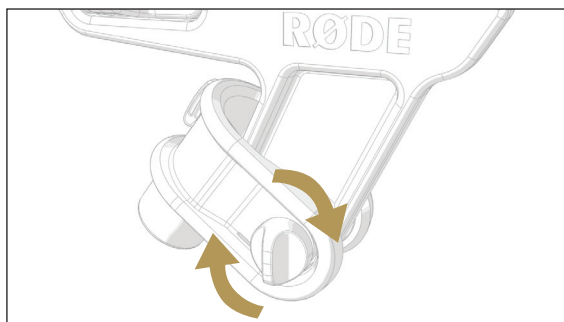


Quick-Release handle

The SM8 can now be freely adjusted through approximately 190° (depending on cable XLR connector and method of mounting.)

Once the required angle is achieved the quick release handle can be pushed close to lock the rotation.

If additional tension is required, there is a knob on the opposite side of the quick release handle that allows for fine adjustment of the quick release grip.

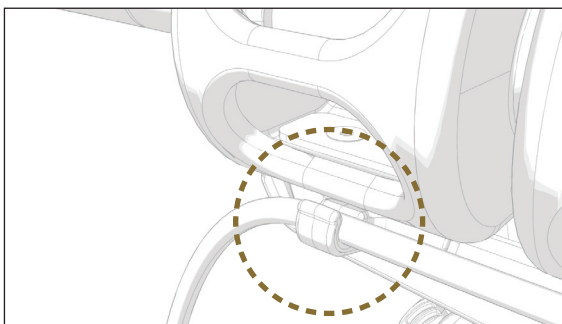


Tension adjustment dial

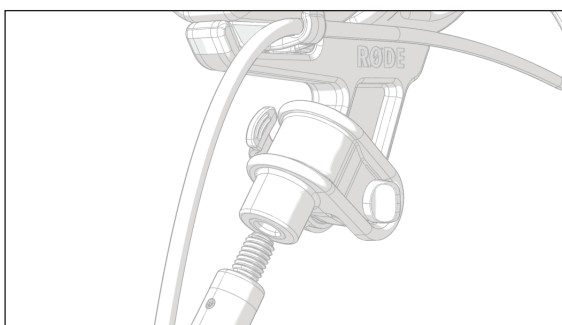
Mounting the NTG8

- The SM8 features cable management clips on either side to minimise noise transfer from cables.

When mounting the cable in the clip, please ensure that the section of cable going to the microphone has enough slack to not manipulate the microphone position, and also to allow adjustment of the mounting angle without having to reposition the cable.



- The SM8 features a standard 3/8" thread in the base, to allow for versatile mounting to a boompole or microphone stand.



Storing the NTG8

- While the NTG8 features RF bias technology it is still recommended to store the microphone in dry conditions whenever not in use.
- The supplied weather resistant aluminium storage cylinder is designed to provide extreme environmental protection for your microphone during transport and storage.

Please note that the cylinder is not designed to be completely waterproof. Damage to the microphone caused by water entering the storage cylinder is not covered by the warranty.

- When inserting and removing the microphone from the storage cylinder please use a slow steady pace to prevent a build up of pressure in the cylinder. Alternatively remove both screw ends of the cylinder to prevent any pressure build up.

Warranty Information

All RØDE microphones are warranted for one year from date of purchase. A free ten year extended warranty is available for the NTG8 if you register it online at www.rodemic.com/warranty. *

The warranty covers parts and labour that may be required to repair the microphone during the warranty period. The warranty excludes defects caused by normal wear and tear, modification, shipping damage, or failure to use the microphone as per the instruction guide.

If you experience any problem, or have any questions regarding your RØDE microphone, first contact the dealer who sold it to you. If the microphone requires a factory authorised service, return will be organised by that dealer.

We have an extensive distributor/dealer network, but if you have difficulty getting the advice or assistance you require, do not hesitate to contact us directly.

Technical Support

For information and technical support questions please visit www.rodemic.com/support

*subject to terms & conditions - see rodemic.com/warranty for full details